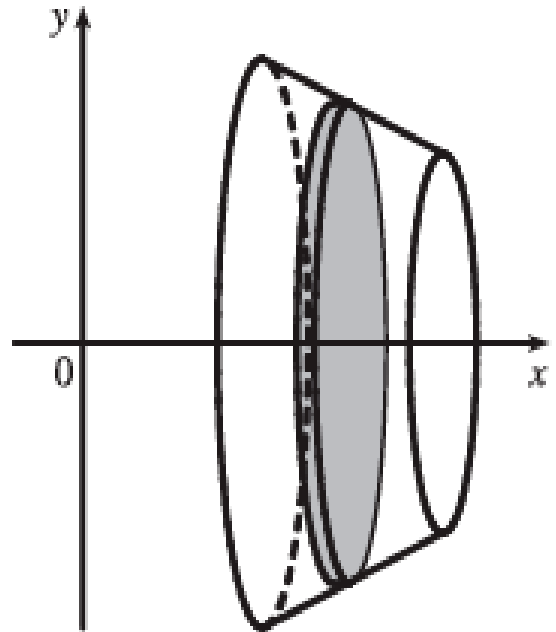
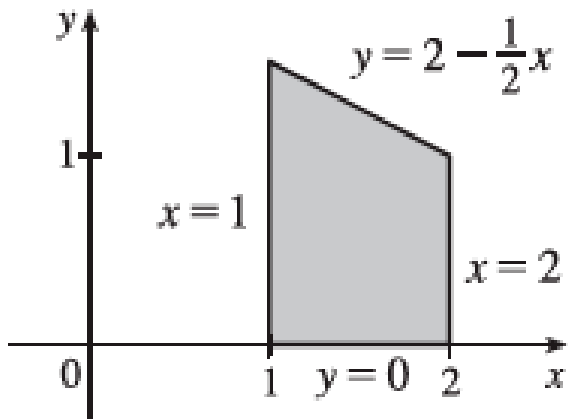
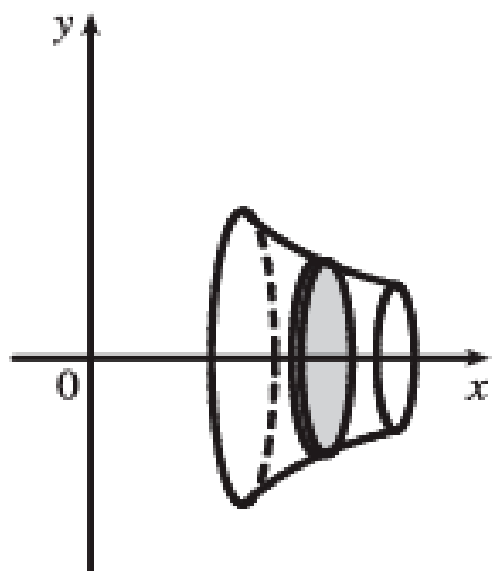
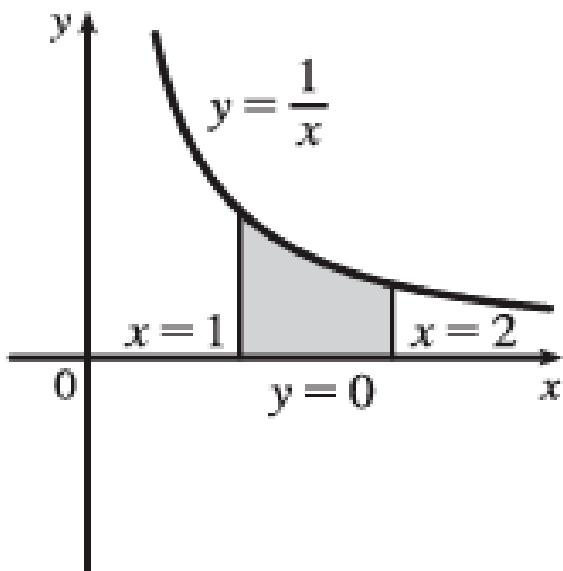


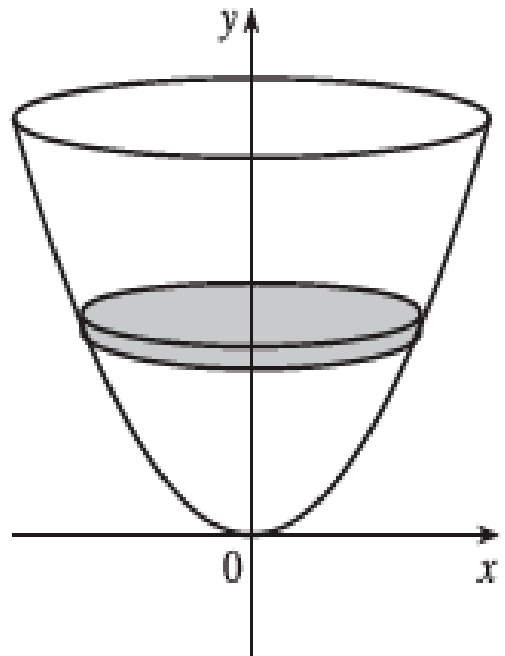
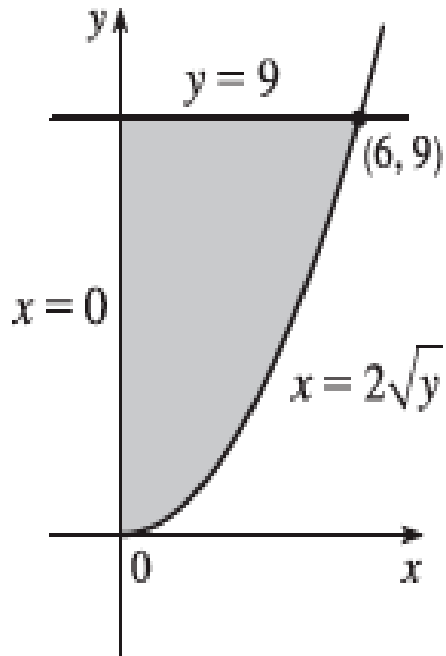
Section 6.2 #1



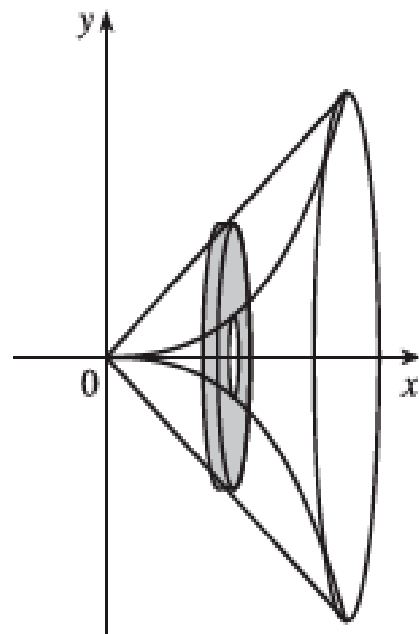
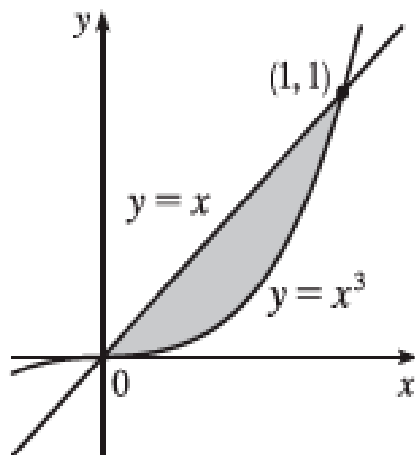
Section 6.2 #3



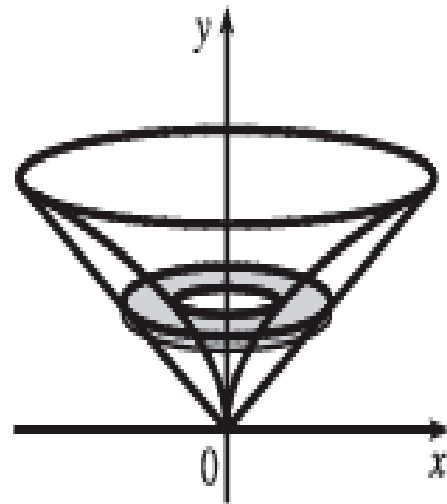
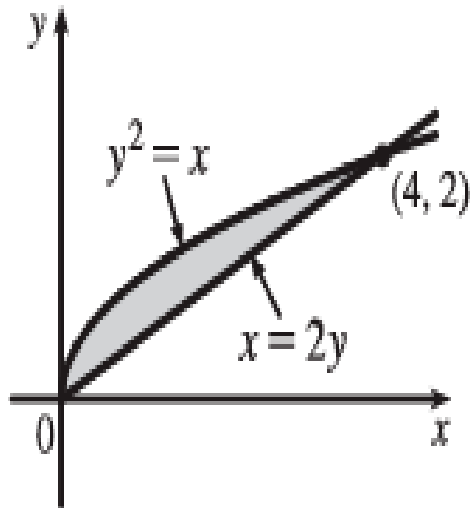
Section 6.2 #5



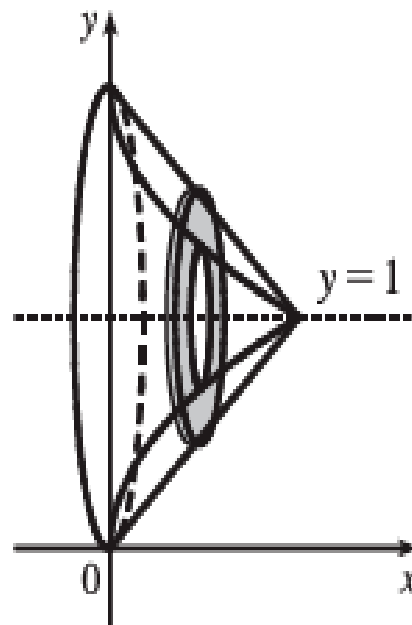
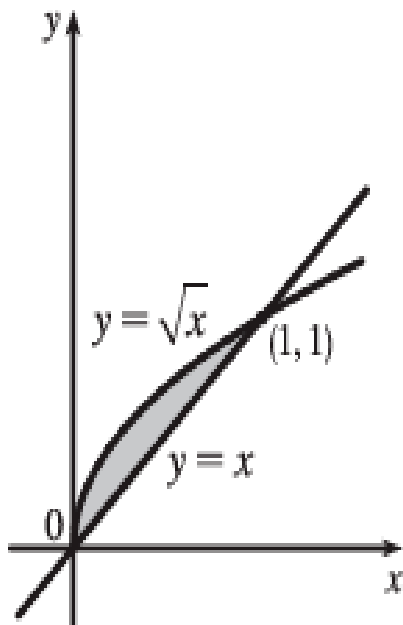
Section 6.2 #7



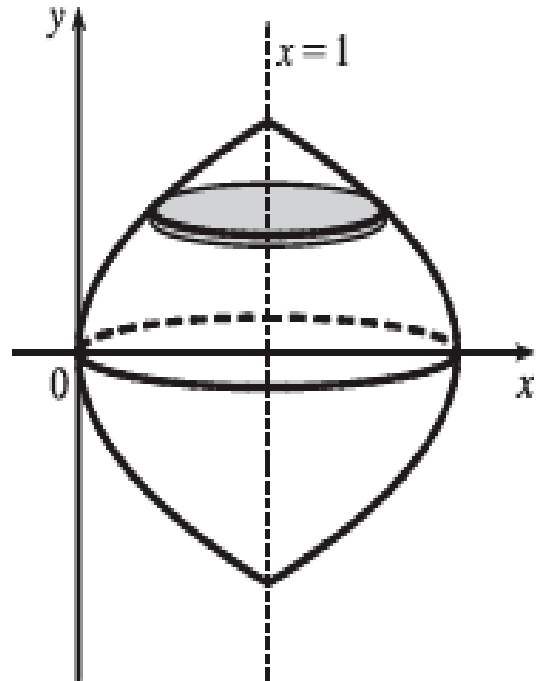
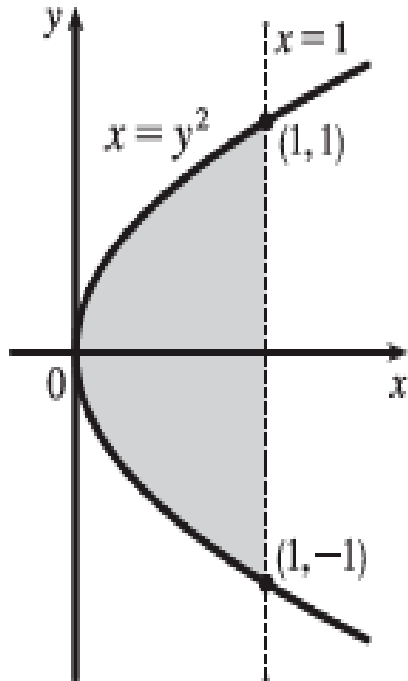
Section 6.2 #9



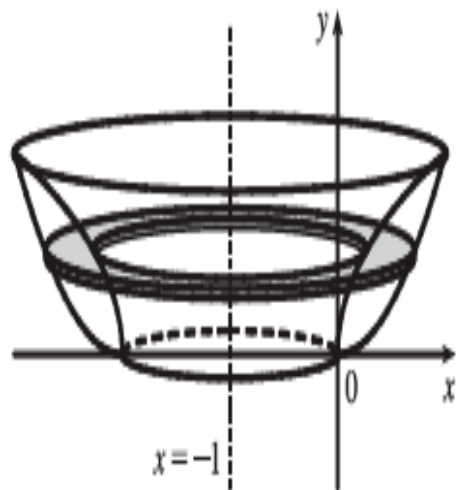
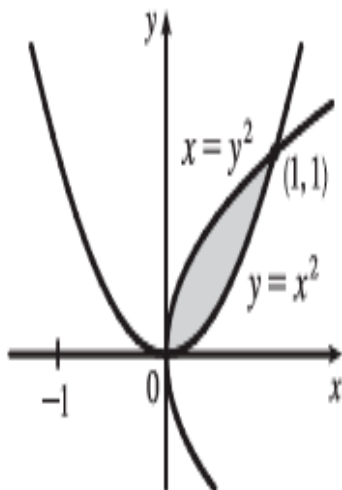
Section 6.2 #11



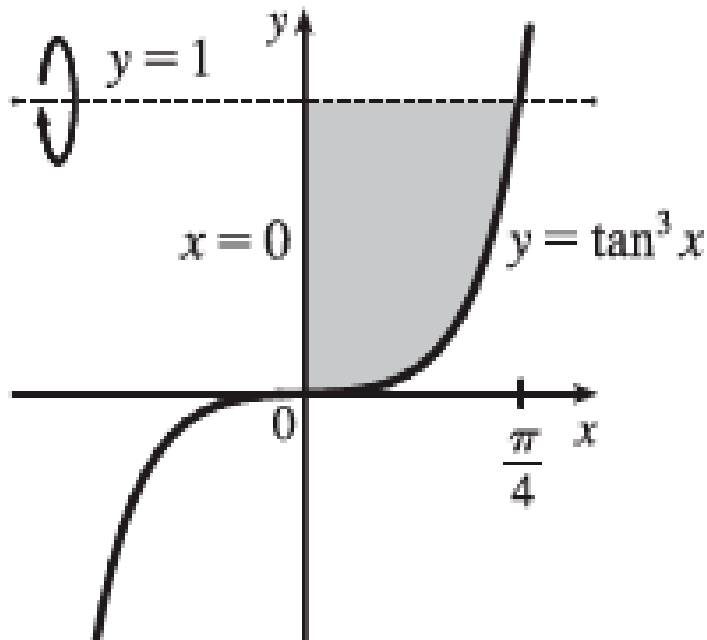
Section 6.2 #15



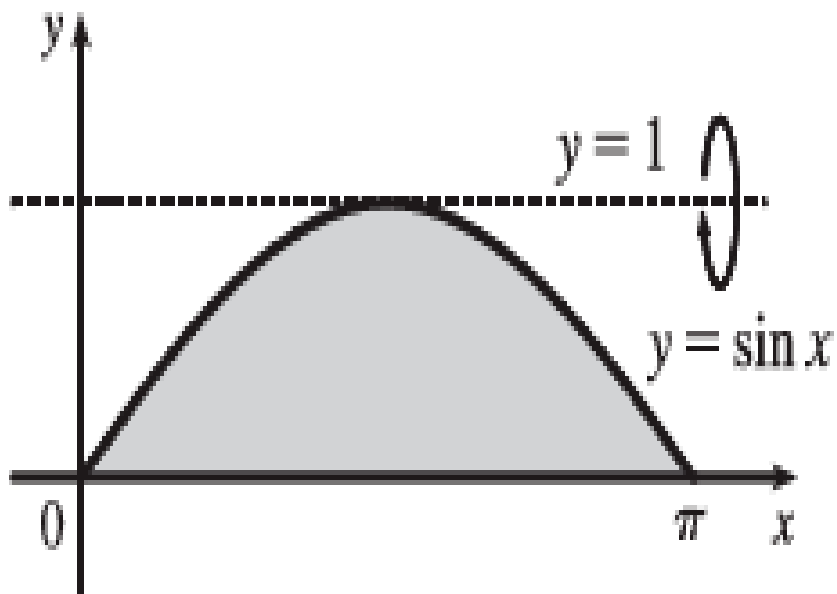
Section 6.2 #17



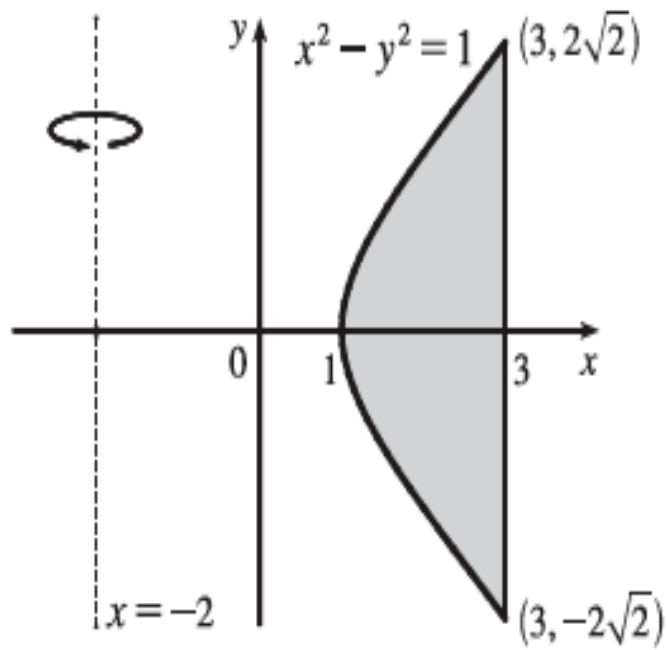
Section 6.2 #31



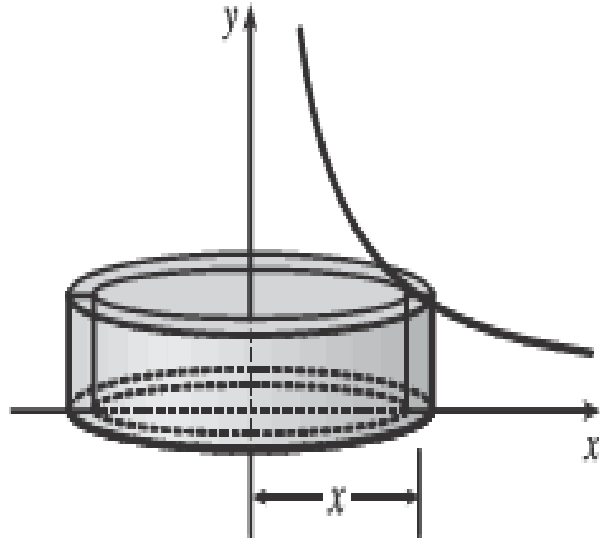
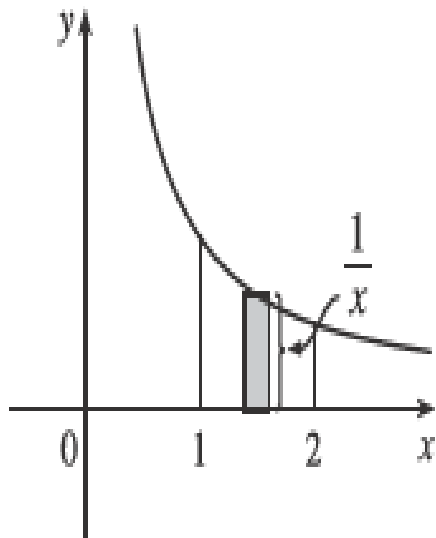
Section 6.2 #33



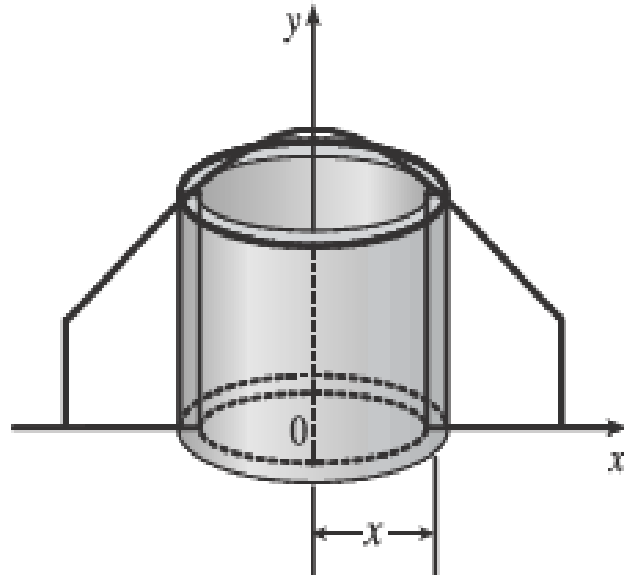
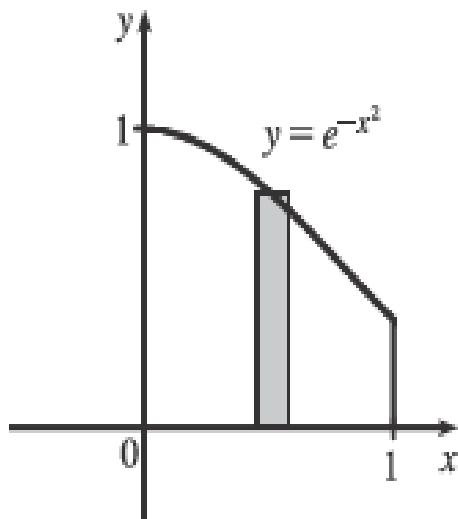
Section 6.2 #35



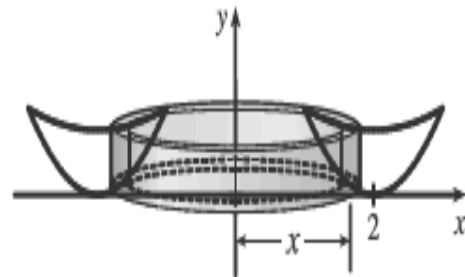
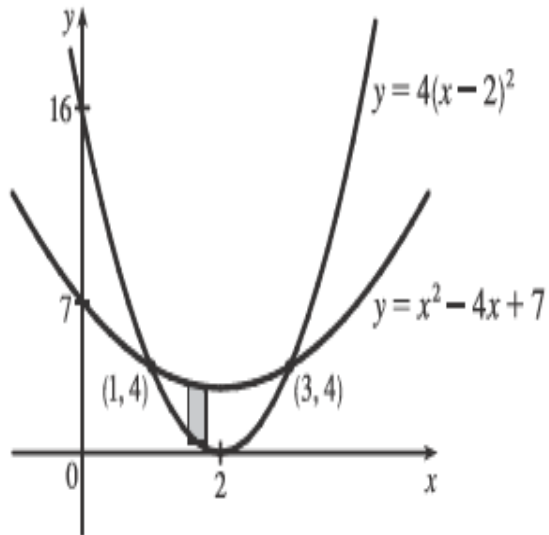
Section 6.3 #3



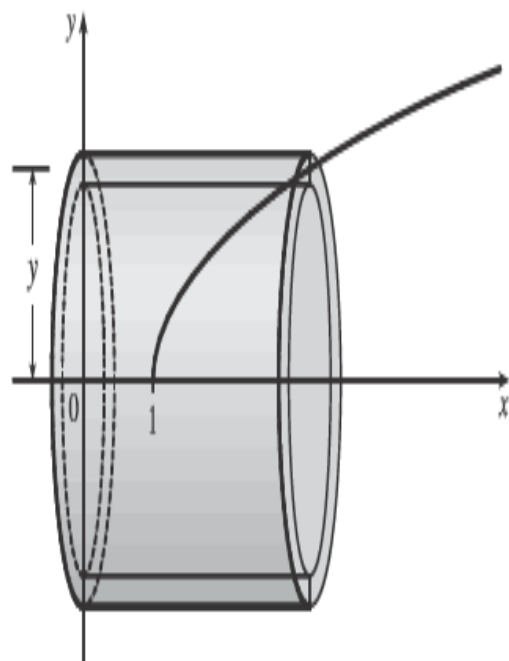
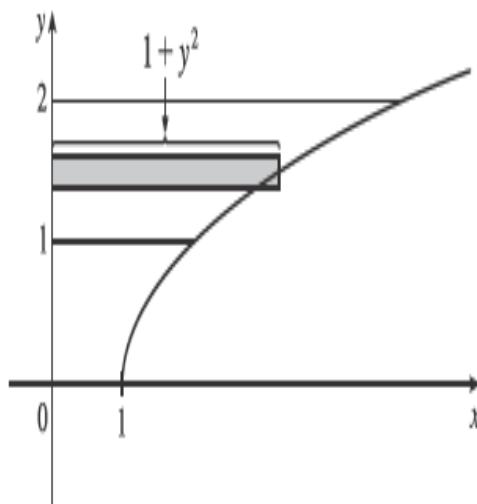
Section 6.3 #5



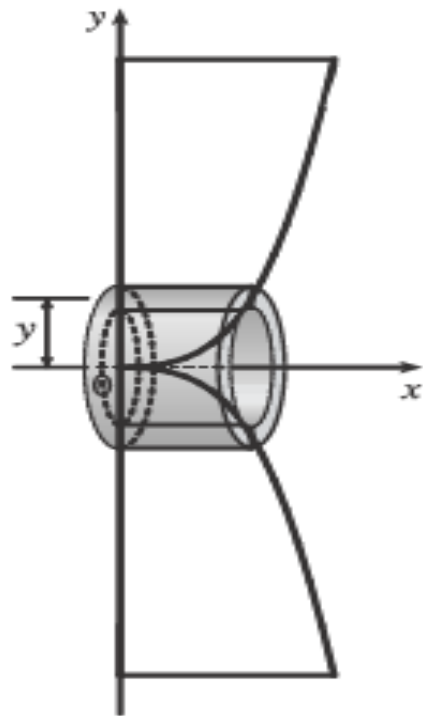
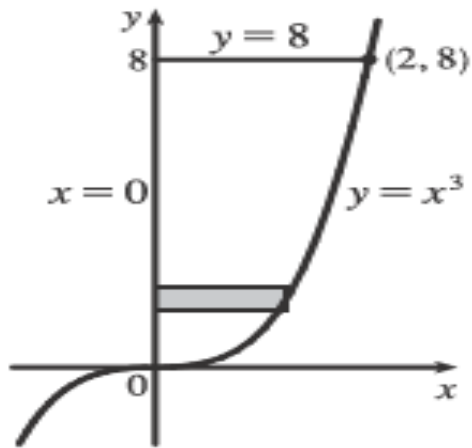
Section 6.3 #7



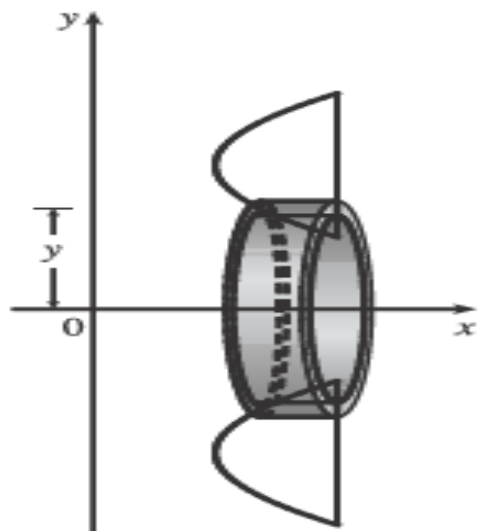
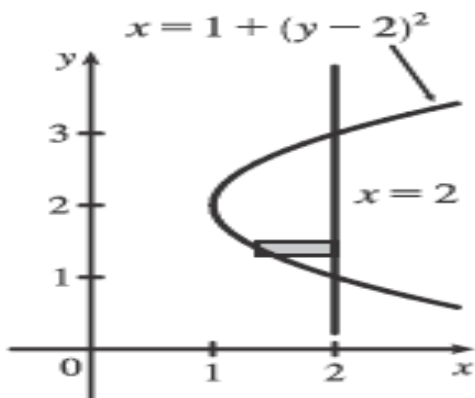
Section 6.3 #9



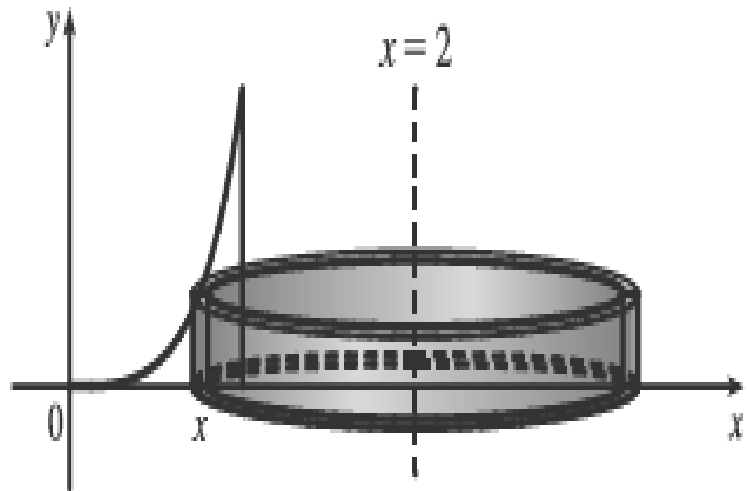
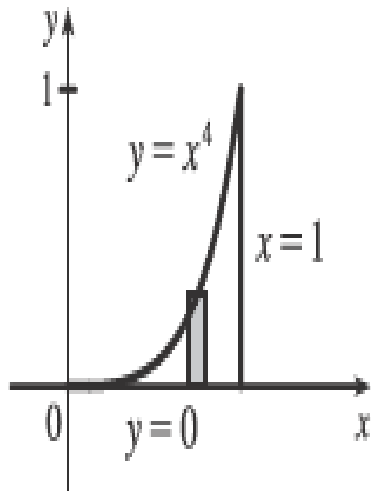
Section 6.3 #11



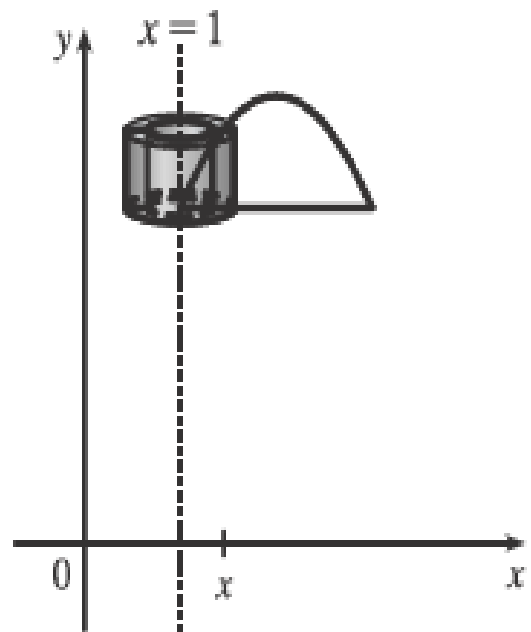
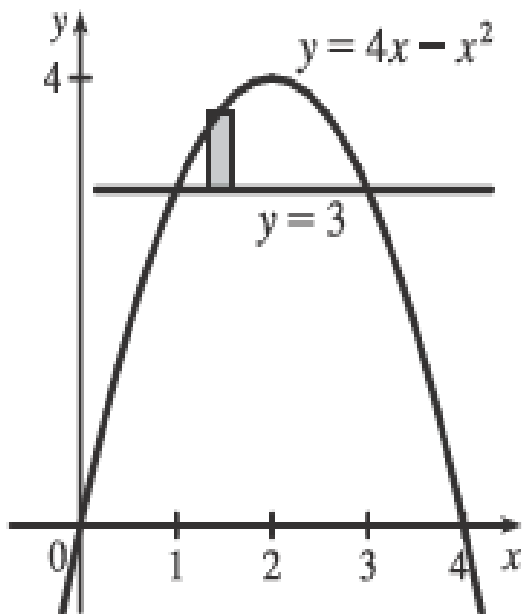
Section 6.3 #13



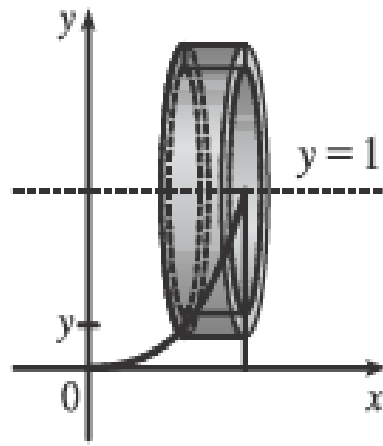
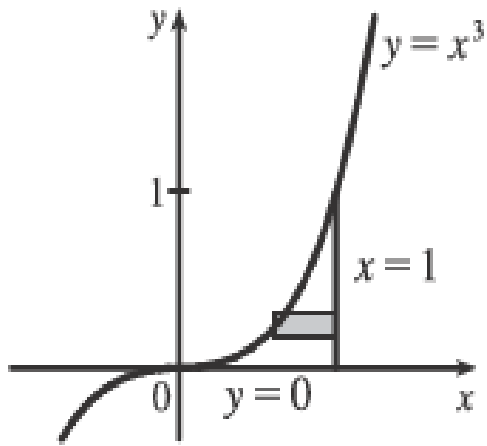
Section 6.3 #15



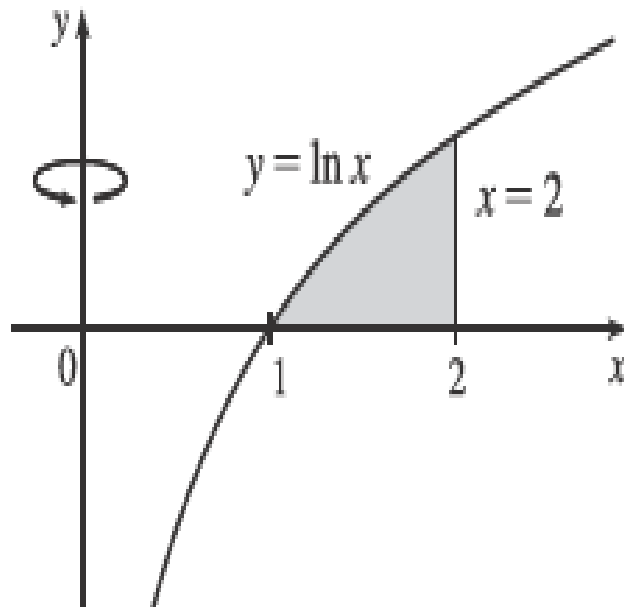
Section 6.3 #17



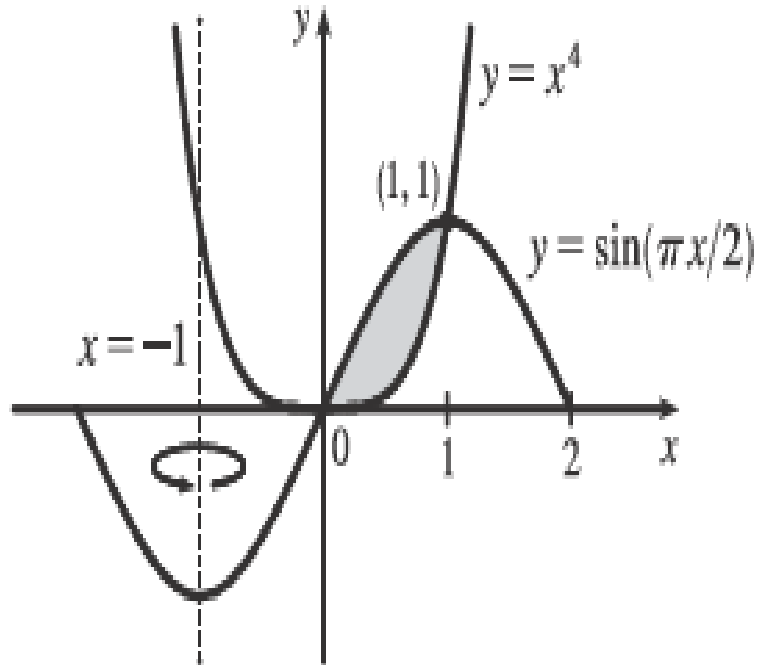
Section 6.3 #19



Section 6.3 #21



Section 6.3 #23



Section 6.3 #25

